

# Video Networking



## WD-7/MK

Wall Mount with Swivel Head for VTL Series Outdoor Housings, black

Art-No. 79790



## Features

For Wall Mounting  
For Weatherproof Housings (VTL Housing Series)  
Rugged Aluminium Construction

Swivel head with Large Adjustment Range  
Ready for Installation

## Specifications

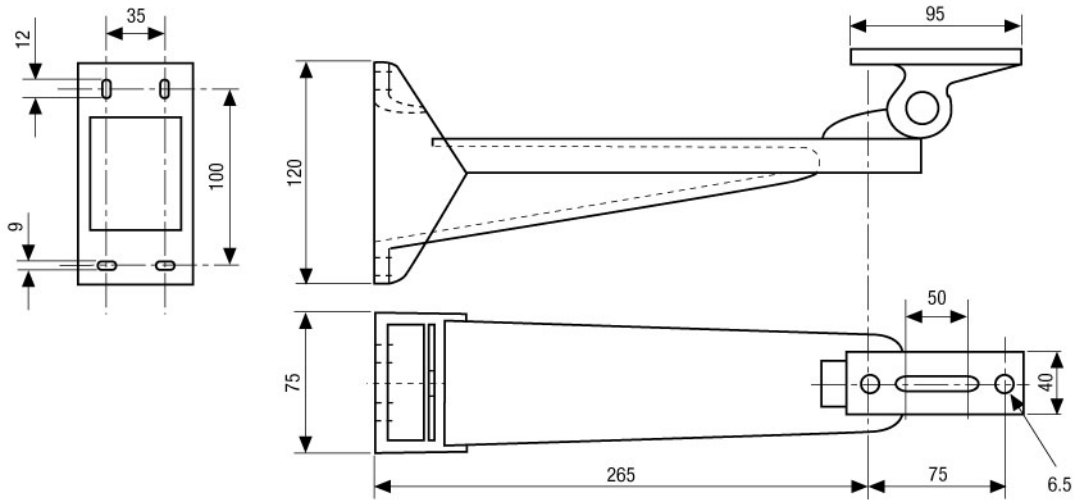
Mounting distance from fixing point	300 mm
Load capacity	5kg
Turning range of the swivel head	360°
Tilt range	Approx. 90°
Material	Aluminium
Colour	Black
Dimensions (HxWxD)	See drawing
Weight	1kg

## Accessories

79592 / PM-6S	Pole Mount Adapter for 1 Wall Mount, (50-140mm Pole), RAL9002
79613 / CMA-2	Corner Mount Adapter for Wall Brackets WD-5, WD-7, VTL-WW, VHK-WW, RAL9002

## Product Information

When mounting the wall mount bracket, ensure that only dowels which are approved for this type of construction are used.



Maße/Dimensions: mm

VIDEOR TECHNICAL E. Hartig GmbH  
 Carl-Zeiss-Straße 8 · 63322 Rödermark · Germany  
 Telefon +49 (0) 60 74/8 88-0 · Telefax +49 (0) 60 74/8 88-100  
 info@videortechnical.com · www.videortechnical.com

